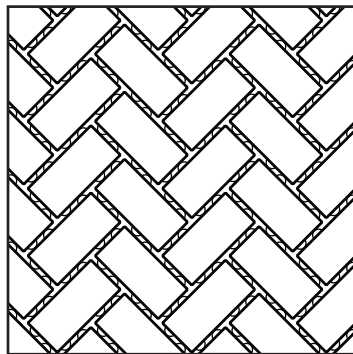
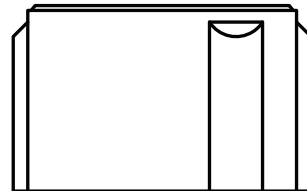
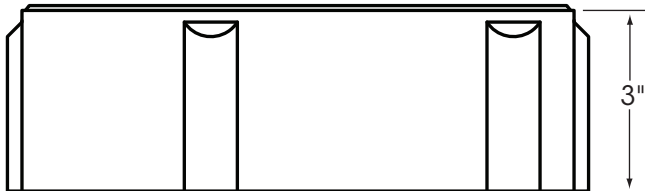
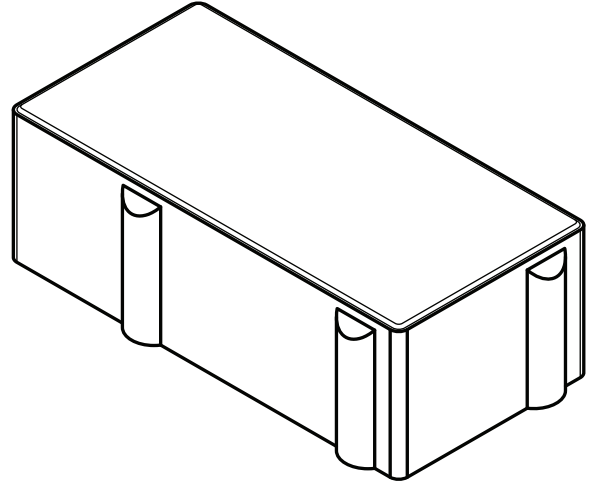
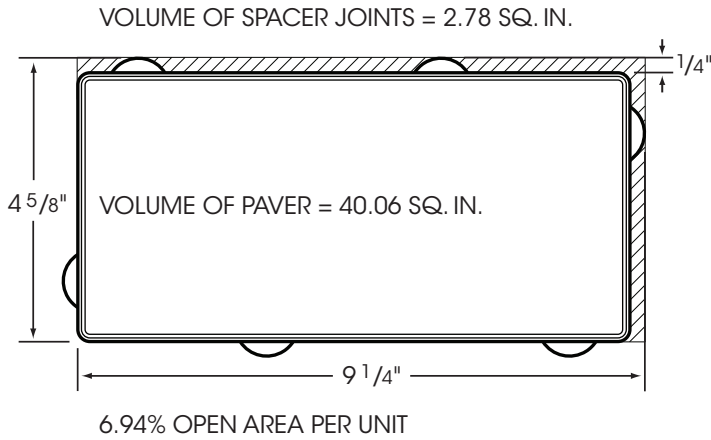


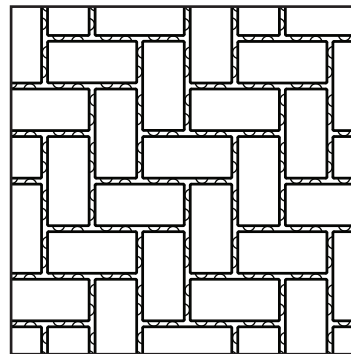
# PERMEABLE PAVING UNIT

## Permeable 4" x 9"

4 5/8" x 9 1/4" x 3"



45° Herringbone



90° Herringbone

Please Note: Sizes shown are nominal. Products are made to fit metric modules.  
Overall dimensions include one spacer.

# HANOVER®

## Architectural Products

5000 Hanover Road, Hanover, PA 17331

717.637.0500 fax 717.637.7145

[www.hanoverpavers.com](http://www.hanoverpavers.com)