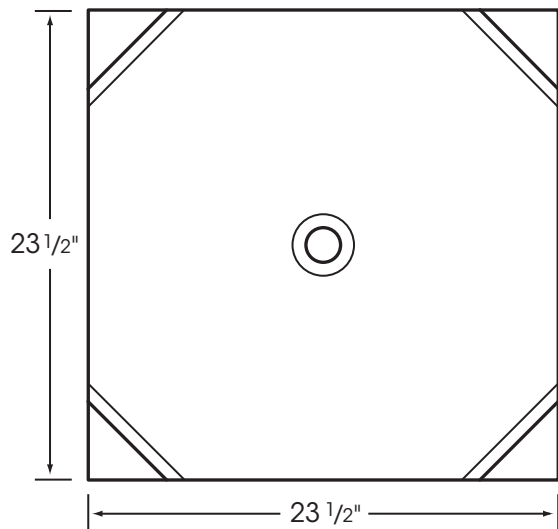
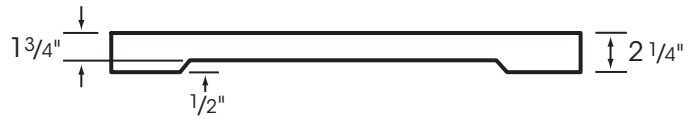


# Hanover® Pedestal® Paver

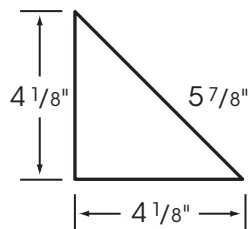
23 1/2" x 23 1/2" x 2 1/4"



BOTTOM VIEW

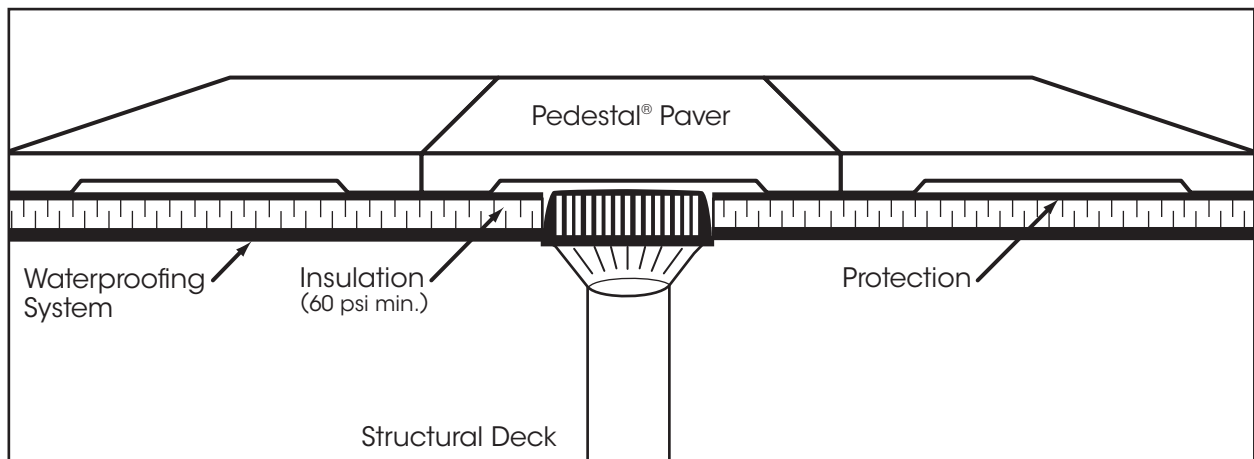


SIDE VIEW



ENLARGED FOOT VIEW

Total Load Bearing Area including center support: 36.32 sq. in.



Patent #Des. 283,551

Please Note: Sizes shown are nominal. Products are made to fit metric modules.

**HANOVER**<sup>®</sup>  
Architectural Products  
5000 Hanover Road, Hanover, PA 17331  
717.637.0500 fax 717.637.7145  
www.hanoverpavers.com