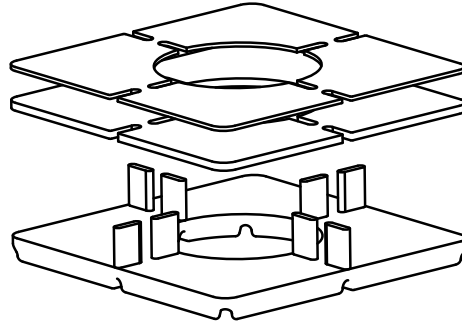
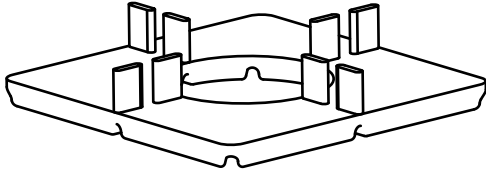
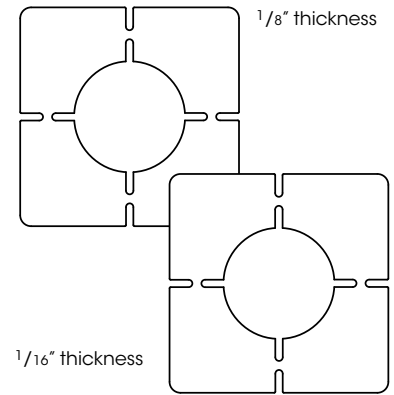


# Hanover® EPDM Pedestal and Leveling Shims

Hanover® EPDM Pedestal  
patent pending



EPDM Leveling Shims



## EPDM Pedestal

Hanover's EPDM Rubber Pedestal is a flexible paver support pedestal, allowing the pavers to follow the contour of the roof. The EPDM Pedestal is suitable for both Architectural and Ballast applications where water drainage is required. When used in ballast applications, roof membranes are protected from the pavers. This 3/8" fixed height pedestal incorporates 1/8" spacer tabs and leveling shims to make installation easy. The EPDM rubber provides sound deadening qualities, is resistant to the ozone and severe weather conditions and creates a soft feel for walking. This pedestal is not stackable and must be considered only for low elevation support requirements.

- 3/8" fixed height pedestal
- Made from superior EPDM rubber
- Flexible base
- Provides sound deadening qualities

## EPDM Leveling Shims

Final adjustments can be made with Hanover's EPDM Leveling Shims. These shims prevent paver movement and provide a more solid feel. Thicknesses are available in 1/8" or 1/16".

- 1/8" or 1/16" thickness
- Made from superior EPDM rubber
- Prevents paver movement
- Provides a more solid feel

**HANOVER®**  
Architectural Products  
5000 Hanover Road, Hanover, PA 17331  
717.637.0500 fax 717.637.7145  
[www.hanoverpavers.com](http://www.hanoverpavers.com)