

HANOVER® ELEVATOR® PEDESTAL SYSTEM



Patent Pending

Hanover® is pleased to provide an elevated pedestal system for those projects which require paver heights above 2" and up to 24". Hanover's Elevator® System has features included that greatly add to the performance, ease and stability of the installation.

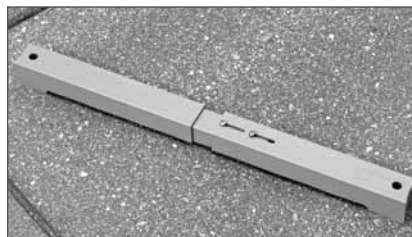


Unlike any other pedestal, the top plate is supplied with pads that are an integral part of the top. These pads will quiet and secure the paver to the pedestal. Rigid-to-rigid (pedestal-to-paver) hard surfaces can create noise and paver movement when pedestrians walk across. The pads will help eliminate both conditions. Integral spacing tabs set uniform 1/8" space between pavers and aid with alignment. The Top Plate also provides over 42 square inches of bearing area.

As part of the Elevator® Pedestal System, Hanover® provides a Coupler to increase paver height by 2 1/2" - 4". Hanover's Coupler includes a circular flange with multiple holes, or eyelets, for ease of tie bracing. The ring of eyelets around the entire coupler, as well as the holes in the base, enables the installer to securely fasten wires quickly and easily when bracing is required. Copper inserts, which are included in the StayBar™ package, are placed in the required Coupler Eyelets to reinforce the holes and prevent wire from wearing through the plastic.



Coupler

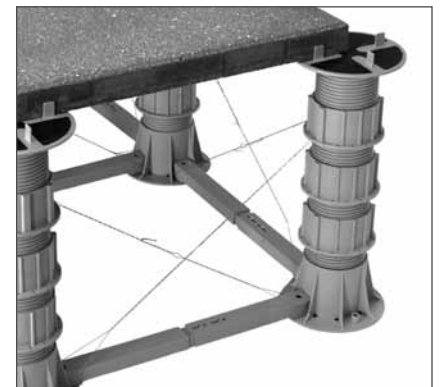


NEW StayBar™

StayBars are required for applications 16" and above. The ratio of StayBars to elevators is approximately 2 StayBars to every Elevator. Quantities of StayBars may be more or less depending on the project. Make sure you have enough StayBars to secure all connections.

Bracing is required for elevations above 16" and up to 24". Hanover® offers the NEW StayBar™ which fits firmly between Elevator® bases to prevent movement of the assembly. StayBar™ provides adequate stabilization for higher elevated paver installations when used in conjunction with wire cross ties. Bracing should be achieved using a stainless steel 18 gauge wire, available through the MSC Catalog, part #31980188.

Request installation guidelines for horizontal and cross bracing.



Elevator® Cross Bracing

- Padded top plate provides quiet, solid installations and eliminates paver movement.
- Coupler Eyelets allow easier bracing for installations over 16".
- Over 42 sq. in. of bearing area on Top Plate
- Tabs set uniform 1/8" space between pavers and aid with alignment.
- All components are made of high density, durable, impact resistant polypropylene.
- Flexible leveling rubber-like shims are available for finer, individual leveling.

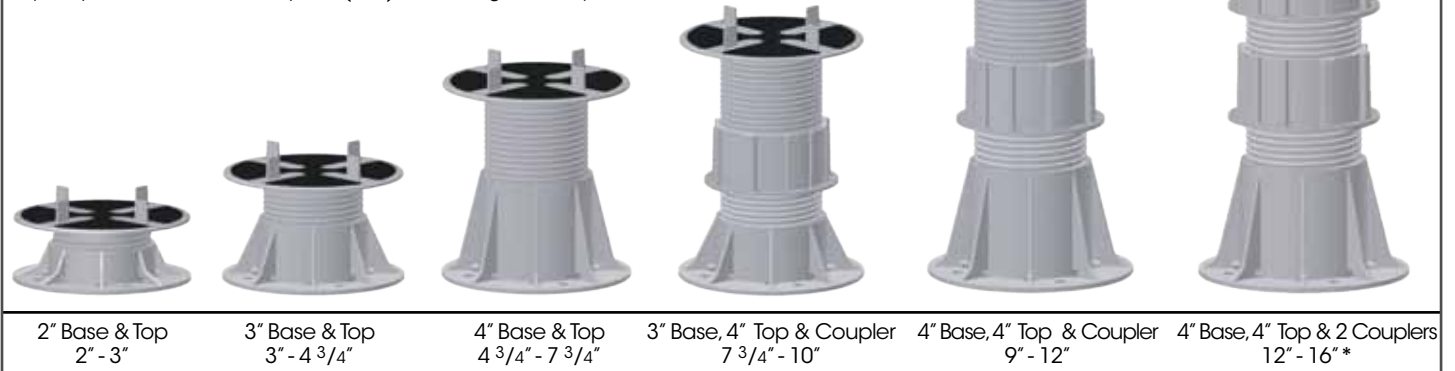
HANOVER® ELEVATOR® PEDESTAL SYSTEM HEIGHTS

Please Note: It is critical that Top units and Couplers have a minimum insertion of three threads of the unit to completely secure the pedestal and ensure stability. Additional couplers can be added for elevations up to 24". Bracing is recommended for taller elevations of 16" to 24".

Heights shown are pedestal heights only. For final paver installation height, add the thickness of the paver to the pedestal height.

Do not over-extend threaded pieces. Settling may occur when pedestals are placed on-grade. Decks are required to have an edge restraint on all sides.

Elevator® Pedestals are for use with pedestrian traffic only; do not use with motorized, wheeled or equipment traffic. Elevator® Pedestals have a maximum 1000 lb/pedestal load bearing capacity with a Factor of Safety of 2 (FS:2), exceeding most requirements.

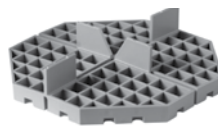


*The use of additional couplers will attain heights up to 24". Heights of 16" to 24" require special bracing installation details.

The Elevator® can be used with other Hanover® Pedestal Systems. In order to accommodate required elevations in the most efficient manner, Hanover's Pedestal Systems can be used in various combinations. The chart above demonstrates possible height solutions using Elevator® System from 2" to 24". The High-Tab® Pedestal must be used for heights from 5/8" to 2".

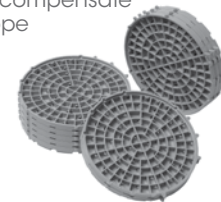
OTHER HANOVER® PEDESTAL SYSTEMS

High-Tab® Pedestal
7" across flats, 5/8" thick, 1/8" spacers
• for heights 5/8" up to 2"



Patent Pending

Compensator® Leveling System
7 3/4" diameter, 1/2" thick
• can be used under the Elevator® System to compensate for roof slope

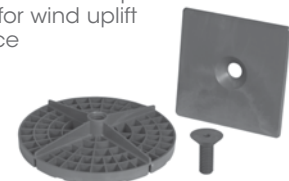


Patented

Leveling Shims
7" across flats
black : 1/16" thick, white : 1/8" thick
• can be used on top of the Elevator® System for final leveling adjustments



Guardian® Paver System
Top Plate: 6" sq, Bolt: 3/4" diameter
Base: 7 1/2" diameter
• can be used on top of the Elevator® System; for wind uplift resistance



Patented

Contact us for product details and information. We invite you to call us at 800-426-4242 to discuss your project, visit our web site www.hanoverpavers.com, or request our Roof and Plaza Pavers brochure.



Where Concrete and Imagination Meet

5000 Hanover Road, Hanover, PA 17331
717.637.0500 • fax 717.637.7145
www.hanoverpavers.com