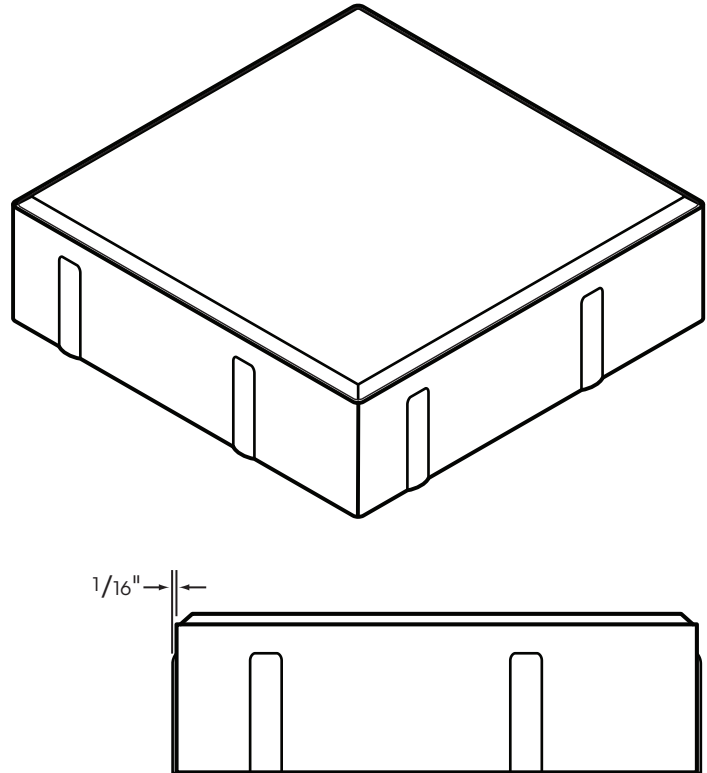
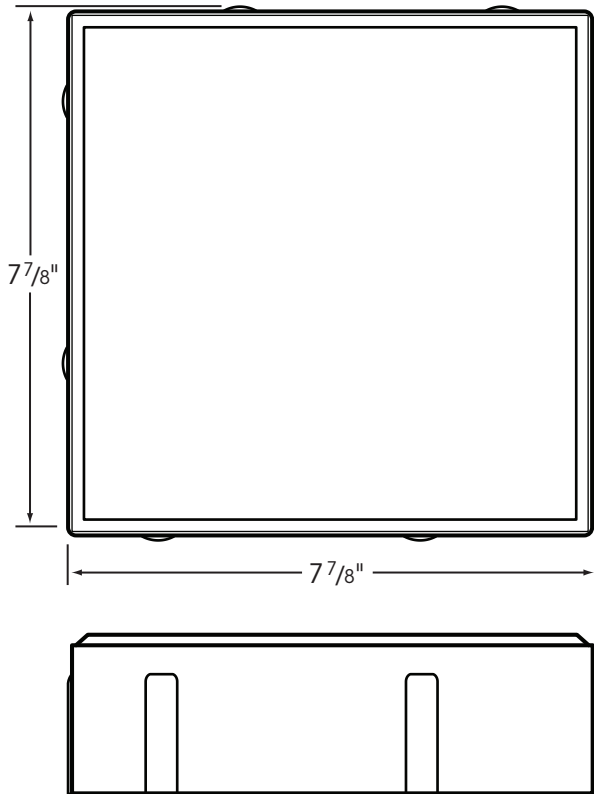
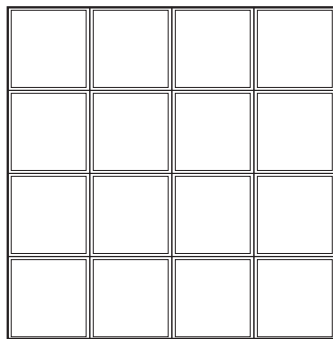


# TRADITIONAL<sup>®</sup> PREST<sup>®</sup> BRICK

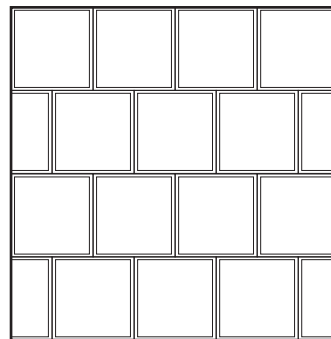
## 8" x 8"



Please Note: 8" x 8" shown with  $2\frac{3}{8}$ " thickness. A 3" thickness is also available.  
Sizes shown are nominal. Products are made to fit metric modules.  
Overall dimensions include one spacer. The 8" x 8" size is not recommended for commercial vehicular use.



Stacked Bond



Running Bond

# HANOVER<sup>®</sup>

## Architectural Products

5000 Hanover Road, Hanover, PA 17331

717.637.0500 fax 717.637.7145

[www.hanoverpavers.com](http://www.hanoverpavers.com)